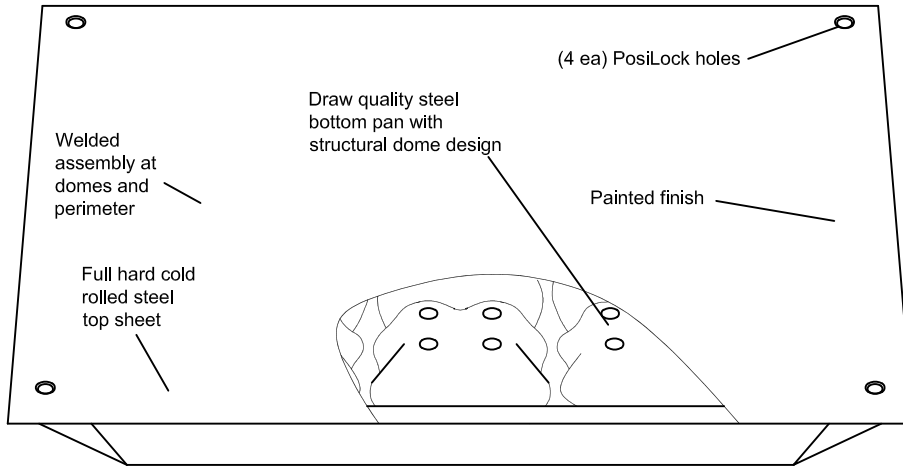
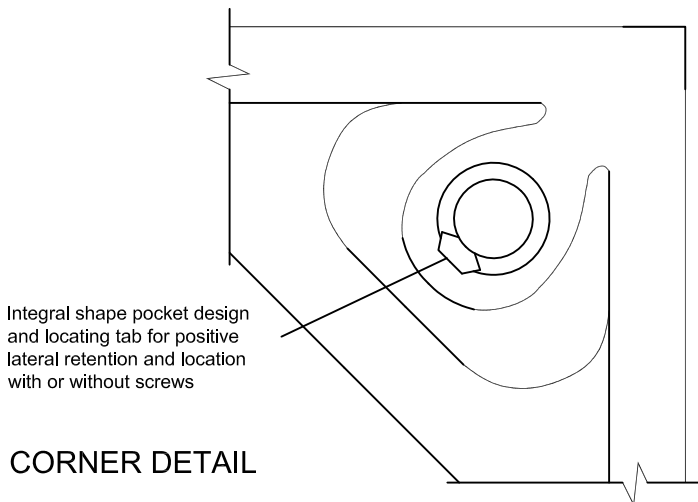


# All Steel: AS1500 Panel-24"



TOP VIEW



CORNER DETAIL



## SPECIFICATIONS

### General information

- Panel weight : 6.0 lbs./ft<sup>2</sup> bare.
- 1-3/8 inches deep with no covering.
- All steel welded construction.
- Protected from corrosion by an epoxy paint finish.
- Class A flame spread rating.
- Non-combustible material.

## UNDERSTRUCTURE OPTIONS

- 4' Bolted Stringer
- 2' Bolted Stringer

## COVERING OPTIONS

Tile factory laminated with integral trim edge

- 1/8" HPL \_\_\_\_\_ (Color) \_\_\_\_\_
- 1/16" HPL \_\_\_\_\_ (Color) \_\_\_\_\_
- 1/8" Conductive HPL \_\_\_\_\_ (Color) \_\_\_\_\_
- 1/16" Conductive HPL \_\_\_\_\_ (Color) \_\_\_\_\_

For additional laminate options contact Inside Sales

Bare Painted Panel Options

- Bare Painted Finish to accept carpet tile application

### System Performance Criteria

System performance criteria are the most important to consider because they represent the performance in a typical installation. Panel only criteria such as concentrated load is often used to specify floor systems however, the test is not representative of an actual installation because it is performed with the panel resting on blocks, not actual understructure.

System Performance Criteria (Tested on Actual Understructure)*								
System Type	Understructure	SYSTEM WEIGHT	STATIC LOADS			ROLLING LOADS		IMPACT LOADS
			Design Loads	Ultimate Loads	Safety Factor	10 Passes	10,000 Passes	
All Steel AS1500-24"	Bolted Stringer	8.5 lbs / ft <sup>2</sup> 41 kg / m <sup>2</sup>	1500 lbs 680 kg	Min. 3000lbs Min. 1360kg	Min. 2	600 lbs 272 kg	600 lbs 272 kg	150 lbs 68 kg

1. All load tests are performed using the CISCA Recommended Test Procedures for Access Floors with the exception of Design Load. Design Load capacities are verified using the CISCA Concentrated Load procedure (with loads applied through a 1" dia. indenter at the weakest point) but with the panels supported by actual understructure rather than steel blocks. (Tests on panels supported by blocks are not representative of panel or system performance in actual installations.)
2. Safety factor is Ultimate load divided by Design load.