



IRVINE ACCESS FLOORS, INC.

IAF-3 Specifications:

Service outlet boxes shall be UL listed and labeled Irvine model IAF-3. Outlets shall be provided and located per contract drawings. Service outlet box shall be capable of accommodating power/voice and data. Molded Lexan lid and frame available in Black, Brown or Gray (Black will be supplied unless otherwise specified). Lids shall be recessed to accept carpet insert and shall be flush mounted with wear surface. Lid and frame shall provide nine cable openings with cable restraint hooks for wire management. Outlet box shall be manufactured of welded galvanized steel and capable of providing five connections to accommodate power/voice/data/ on a sloping plate within the box. Wiring compartment shall have steel divider plate to separate high and low tension devices. Box shall fit into standard 10 3/4" x 6 1/4" cutout in floor panel and attaches using four self-drilling sheet metal screws. The complete assembly shall fit in a minimum 6" FFH system. Select one of the following options from each category:

Letter Code	Description
-------------	-------------

IAF-3	5 Compartment Service Outlet Box
-------	----------------------------------

Power Options:

A.	Plate Punched for Field Supplied Duplex	
----	---	--



B.	Plate with Standard 20A 120V Duplex	
----	-------------------------------------	--



C.	Plate with Isolated Grd. (Orange) 20A 120V Duplex	
----	---	--



Factory Wiring Options:

NW	No Factory Wiring (To be Field Wired)
----	---------------------------------------

W1	10' 12-2 MC Cable Whip Terminated with 6" Pigtail
----	---

W2	10' 12-3 MC Cable Whip Terminated with 6" Pigtail
----	---

Z	6" MC Cable Whip with PA-12-7M DayBright Connector (Other Cables Available).
---	--

Data Options:

D.	Blank Plate for Future Use	
----	----------------------------	--



E.	1 1/2" ID Rubber Grommet for Pass Through of Cables	
----	---	--



F.	Plate to Accept 2 Standard RJ-45 Phone Jacks	
----	--	--



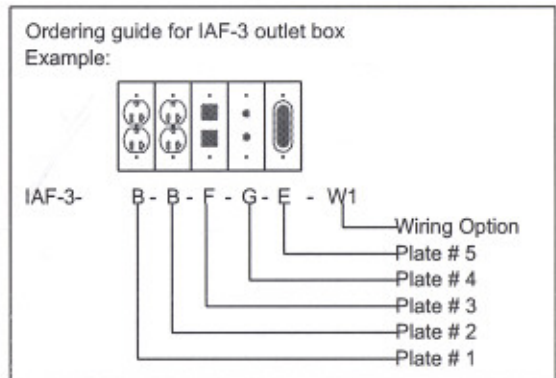
G.	Plate to Accept 2 Standard Coax Single "D" 1/2" Dia.	
----	--	--



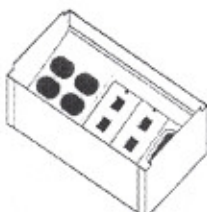
H.	Plate to Accept IBM LAN type Connector	
----	--	--



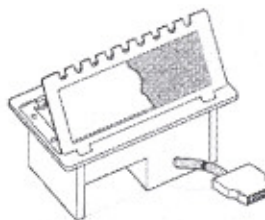
I.	Special Plate (Provide Details for your Device)	
----	---	--



E-Box Housing:



E-Box Assembly:



Bracket and Plate Assembly:

