



IRVINE ACCESS FLOORS, INC.

IAF-1 Specifications:

Service outlet boxes shall be UL listed and labeled Irvine model IAF-1. Outlets shall be provided and located per contract drawings. Service outlet box shall be capable of accommodating power and can provide an optional pass-thru for cables. Molded lid and frame available in colors Black, Brown, or Gray (Black will be supplied unless otherwise specified). Lids shall be solid and shall not require the use of a carpet insert. Outlet box shall be manufactured of welded galvanized steel and capable of providing a single compartment. Outlet box shall have the capacity for optional phone/data devices mounted on the outside. Outlet box shall have one 1/2" KO in back for power supply wiring. Box shall fit into standard 5 1/4" x 6 1/2" cutout in the floor panel and attaches using four self-drilling sheet metal screws. The complete assembly shall fit in a minimum 6" FFH system. Select one of the following options from each category:

Letter Code	Description
-------------	-------------

IAF-1 2 Compartment Service Outlet Box

Power Options:

- | | | |
|----|---|--|
| A. | Plate Punched for Field Supplied Duplex | |
| B. | Plate with Standard 20A 120V Duplex | |
| C. | Plate with Isolated Grd. (Orange) 20A 120V Duplex | |

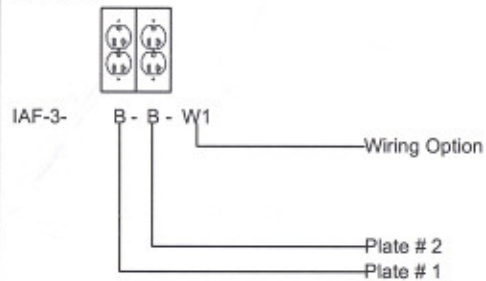
Factory Wiring Options:

- | | |
|----|--|
| NW | No Factory Wiring (To be Field Wired) |
| W1 | 10' 12-2 MC Cable Whip Terminated with 6" Pigtail |
| W2 | 10' 12-3 MC Cable Whip Terminated with 6" Pigtail |
| Z | 6" MC Cable Whip with PA-12-7M DayBright Connector (Other Cables Available). |

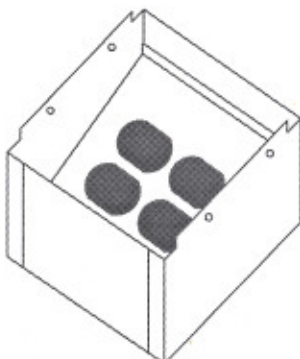
Data Options:

- | | | |
|----|--|--|
| D. | Blank Plate for Future Use | |
| E. | 1 1/2" ID Rubber Grommet for Pass Through of Cables | |
| F. | Plate to Accept 2 Standard RJ-45 Phone Jacks | |
| G. | Plate to Accept 2 Standard Coax Single "D" 1/2" Dia. | |
| H. | Plate to Accept IBM LAN type Connector | |
| I. | Special Plate (Provide Details for your Device) | |

Ordering guide for IAF-3 outlet box
Example:



E-Box Housing:



Bracket and Plate Assembly:

